



Blocfor™ 1.8 DUO EVO ESD 150kg

January 2022

Work at height

- Falls from height remain a leading cause of injuries and deaths in the construction industry
- Providing workers with the correct fall protection equipment is a vital step in keeping them safe
- During the installation and the dismantling of any scaffoldings, the operators are constantly in danger of fall from height.
 - They need to be secured, but they need flexibility to work.
 - A double fall arrest device (double lanyard, or double Blocfor) is needed. (The operators always need to be connected to the scaffolding when the move).
 - Dedicated connectors for scaffolding are required on the fall arrest device.
- The **Blocfor DUO** is the optimal solution for workers in the scaffolding industry, as it's specifically tailored to the way they work.

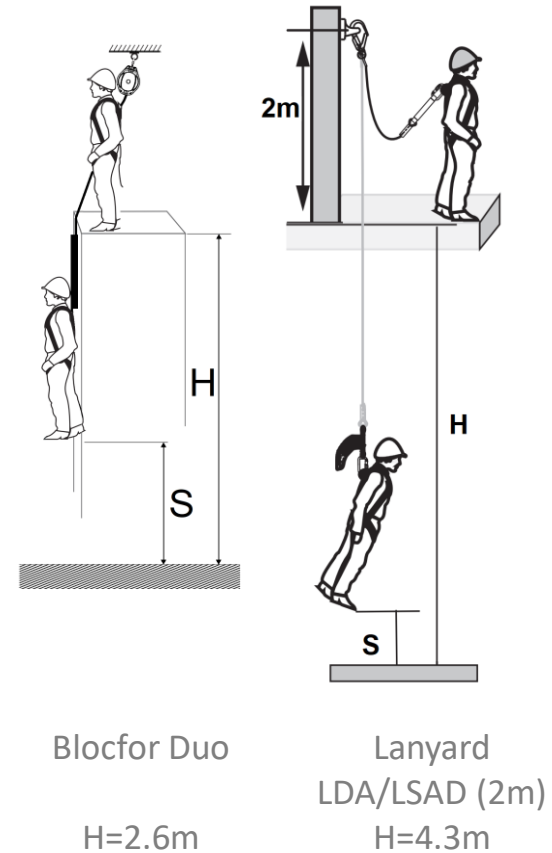
What is the Blocfor 1.8 DUO EVO ESD 150kg?

- The **Blocfor** is a self-retracting fall arrest device (SRL). This is the safest kind of fall arrest device as the length of the lanyard is always the minimum thanks to design of SRLs.
- The maximum between the anchor point and the harness attachment point is **1.8m**
- It is composed of 2 Blocfor (**DUO**) and one shock pack in a “Y” configuration. No matter which lanyard is connected to the anchor points, the user is safe. The user can switch between anchor points while always being connected.
- Thanks to the **EVO** design, the anchor point can be located below the feet of the user (fall factor 2) offering more flexibility to the user.
- The shock absorber, the Extremity System Dissipator (**ESD**) ensures that, in the event of a fall with the strap of the Blocfor fully unwound, the shock that the user will face will never be higher than 600daN (as per EU regulation).
- New Tractel PPEs are rated **150kg** to easily secure all users with their needed equipment to perform their work at height.



Who needs a Blocfor 1.8 DUO EVO ESD 150kg?

- The Blocfor DUO is a safer alternative for any user who is using a double lanyard. Indeed, the fall distance is always shorter with a self-retracting fall arrest device than with a lanyard.
- When working on scaffolding or steel structure (mast, steel lattice mast), users will secure themselves to the scaffolding itself. The inconvenience of such practice is that each rail is relatively short. This means the user always needs to connect again to the next rail. Two standard Blocfor can be used, but a Blocfor DUO will reduce the weight carried by the user. It will be more cost effective and safer for the user.
- The connector installed on each strap is designed for above purposes. They can easily be connected to the railing of scaffolding. They can also be used on suitable certified anchors points (PPE anchor points according to EN 795).



Why buy a Blocfor DUO

- The quality and reliability of Blocfor is established for over 20 years.
- Tractel always certifies its products to latest and most demanding standards including the necessary recommendation for use published by the European organisation of notified bodies working on PPE for each specific application.
- The Blocfor can be maintained by any Tractel company or authorised service centers.
- Only the Blocfor DUO is certified 150kg.

Manufacturer	Product name	Max capacity	Norm	Weight kg	Length m	Edge 11.060	Fall factor 2 11.085
Tractel	1.8 DUO 150KG	150kg	EN360	2.60	1.80	YES	YES
Competitor 1		135 kg	EN360	2.77	1.80	YES	YES
Competitor 2		140KG	EN360	3.42	2.00	YES	YES
Competitor 3		100 kg	EN360	2.53	2.00	NO	NO
Competitor 4		136 kg	EN360	2.10	2.00	NO	NO
Competitor 5		100kg	EN360	2.60	1.80	NO	NO
Competitor 6		100kg	EN360	2.80	2.00	NO	NO

Supporting slides



Blocfor 1.8 DUO EVO 150KG

Regulatory advantages of the Tractel solution

Certified to **European standards**, which are the most demanding

The Blocfor 1.8 DUO EVO 150kg fall arresters comply with the **EN360** standard and the following Technical Data Sheet:

- **CNB/P/11.062** for fall arresters with capacity higher than 100 kg allowing us to claim the 150kg rating.
- **CNB/P/11.060** for flat roof application.
- **CNB/P/11.085** for fall factor 2". Meaning the Blocfor can be connected below the user feet safely
- **CNB/P/11.124**: "Fall arrester with 2 self-retracting lanyards" defines the specifications and tests for a device with 2 self-retracting fall arrest devices connected together.

Blocfor 1.8 DUO EVO 150KG

Advantages

The Blocfor 1.8 DUO ESD is composed of two Blocfor 1.8 150kg connected with a shock absorber and an M47 on the harness anchor.

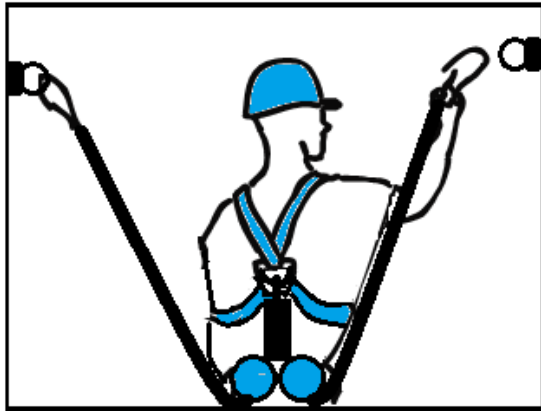
- The total length of the Blocfor 1.8 DUO EVO 150kg is 1.80m
- The housings are made of polyamide with ABS fiber ensuring very high resistance to impact, abrasion, and aging,
- Blocfor 1.8 DUO EVO 150kg are equipped with an energy shock absorber ESD "Extremity - System - Dissipater"
- The weight is 2.6kg
- The end of the 1.8 DUO EVO strap is fitted with two M51 aluminum connector (60mm opening) attached to a stainless-steel swivel.
- Blocfor 1.8 DUO EVO 150kg is equipped with a high-capacity spring which ensures good retraction of the strap with the shock absorber and the M51 connector
- Blocfor 1.8 DUO EVO can be used vertically, horizontally, on a sharp edge, for a drop coefficient 2.
- Blocfor 1.8 DUO EVO can be used for all work at heights, vertically up to an angular deviation of 20° and horizontally for flat roof work or for steel structure construction.

Blocfor 1.8 DUO EVO 150KG

Introduction

Tractel is launching its new Blocfor 1.8 DUO EVO product, for free movement while always remaining connected. This device consists of twin 1.8 fall arresters linked by a shock absorber and an M47 connector which attaches directly to the harness dorsal attachment point.

This light and compact equipment provides optimised safety for its user to move around quickly at height while always remaining connected.



Blocfor 1.8 DUO EVO 150KG

High capacity 150 kg

In response to market demand for fall arrest PPE for heavier users, Tractel is launching the Blocfor 1.8 duo in its “HIGH CAPACITY RANGE 150 kg”.

Weight including the weight of the operator and their equipment.

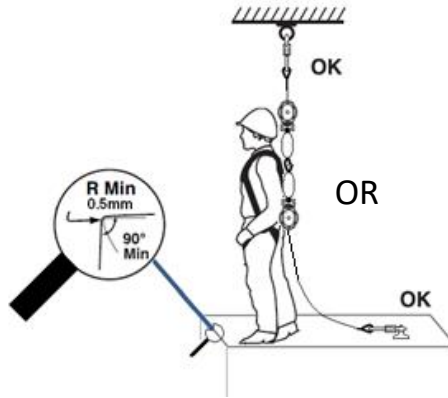


Blocfor 1.8 DUO EVO 150KG

Performance

The design of the Blocfor 1.8 DUO EVO150 kg helps improve user safety:

- In the event of a fall, the device engages in less than 100 mm of fall, which reduces the fall height,
- The shock absorber (ESD 150kg) is also a fall indicator, preventing the use of the device after a fall,
- The polyester hd strap does not cut on corners with a radius of minimum 0.5mm.



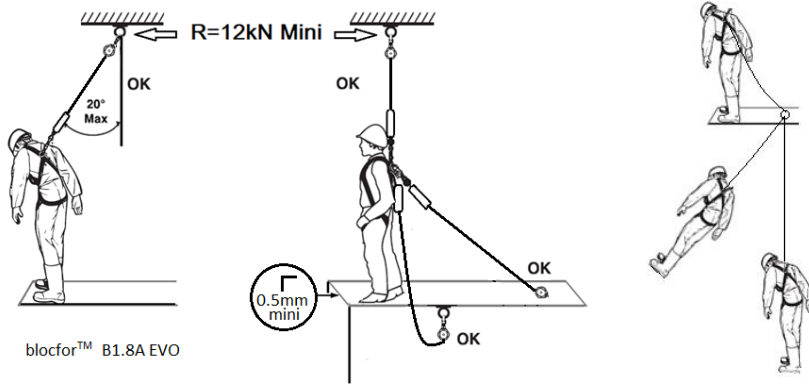
Blocfor 1.8 DUO EVO 150KG

Conditions of use and regulatory framework

Description	Code n°	Code stat
Blocfor 1.8 DUO EVO 150KG M47/M51	8762	42138

Blocfor 1.8 DUO EVO 150KG

N.B: To meet the requirements of the "use on flat roof" and "fall factor 2" standards, the Blocfor 1.8 A DUO EVO terrace must be connected on the energy absorber side with the M47 connector to a fall arrest attachment point on the harness



Questions & Answers



Blocfor 1.8 DUO EVO 150KG

Questions & Answers

Why use a Blocfor 1.8 DUO EVO150 kg?

The Blocfor 1.8 DUO EVO 150 kg enables free movement while remaining constantly connected. It has a smooth reel system, preventing problematic blockages during use. A rotating swivel aids reeling, avoiding any twisting in the webbing. Its housings are wear, shock, abrasion and ageing resistant. It is light and compact, making it easy to transport and use.

Can a Blocfor 1.8 DUO EVO150 kg be used horizontally?

The Blocfor 1.8 DUO EVO 150 kg is tested to the most demanding standards. It can be used vertically and horizontally (flat-roof use) with edges with a diameter of no less than 0.5 mm. It complies with the EN360 standard and technical data sheets VG11 CNB/P/11.060 “flat-roof use” of 2009 and CNB/P/11.062 of 09/10/2013 ind 03 “fall arresters with capacity in excess of 100 kg”.

How should a Blocfor 1.8 DUO EVO 150 kg be attached to a harness?

The Blocfor 1.8 DUO EVO 150 kg is equipped with the M47 connector which attaches directly on the harness dorsal anchor point. The M47 opens with a double safety feature.

Blocfor 1.8 DUO EVO 150kg

Questions & Answers

Can a standard 100 kg fall arrester be used if the user's weight including equipment exceeds 100 kg?

No. Numerous tests have demonstrated that stopping distance and fall impact exceed the maximums required by the standards.

How can you tell if fall-arrest PPE is compliant for weights in excess of 100 kg?

The manufacturer product manual and tracking label must show the maximum permitted weight when using the PPE. To date, Tractel® is the only manufacturer testing products to 150 kg

Does the manufacturer have a legal obligation to test PPE for use above 100 kg?

Yes. The CEN has added an article to EN360 standards applying to blocfor™ fall arresters that require the manufacturers to test their PPE using the maximum permitted weight.

Tests are regulated and must comply with Data Sheet CNB/P/11.062.

Can a Blocfor fall arrester be used for fall factor 2?

Yes, if the product complies with Data Sheet CNB/P/11.062 with the maximum weight and tested using Data Sheet CNB/P/11.085 “fall factor 2”

Blocfor 1.8 DUO EVO 150KG

Questions & Answers

How can I check compliance levels for these products?

The simplest way is to read the manual/instructions and check that the product has been tested using CNB data sheets. If in doubt, request the compliance certificate issued by the laboratory that certified the PPE.

What is Tractel®'s strategy for fall arresters over 100 kg?

Tractel® is launching a specific product range
“HIGH CAPACITY RANGE 150 kg”

These PPE products will be identified on their packaging with the following logo.



Is there any risk in using 150 kg PPE if the user's weight is less than 100 kg?

No. In all scenarios, the tests performed by laboratories on HIGH CAPACITY RANGE 150 kg fall arresters are additional to the standard tests that guarantee the use of PPE for weights below 100 kg.

Blocfor 1.8 DUO EVO 150KG

Questions & Answers

Why do many of our competitors test their products to 136 kg or 140 kg?

Caution: many competitors mark their product capacity as 136kg or 140 kg on their labels and in their manuals. This is consistent with ANSI and CSA standards but does not conform to European regulations.

The tests required by North American standards are unrelated to the dynamic performance tests in European CNB/P Data Sheets that we must carry out as manufacturers of 100 kg+ PPE.

For example, the maximum permitted impact for a human body is 800 daN in the North American market and 600 daN in Europe.

This makes it much easier to claim higher permitted loads under North American standards than under European ones.

If a fall arrester indicates compliance with EN360 or EN353-2 or EN355 without any other specifications, the product may be used in the European market up to 100 kg only.

These points of comparison form an essential technical and commercial argument that must be communicated when presenting 150 kg PPE.



 **Tractel** 

